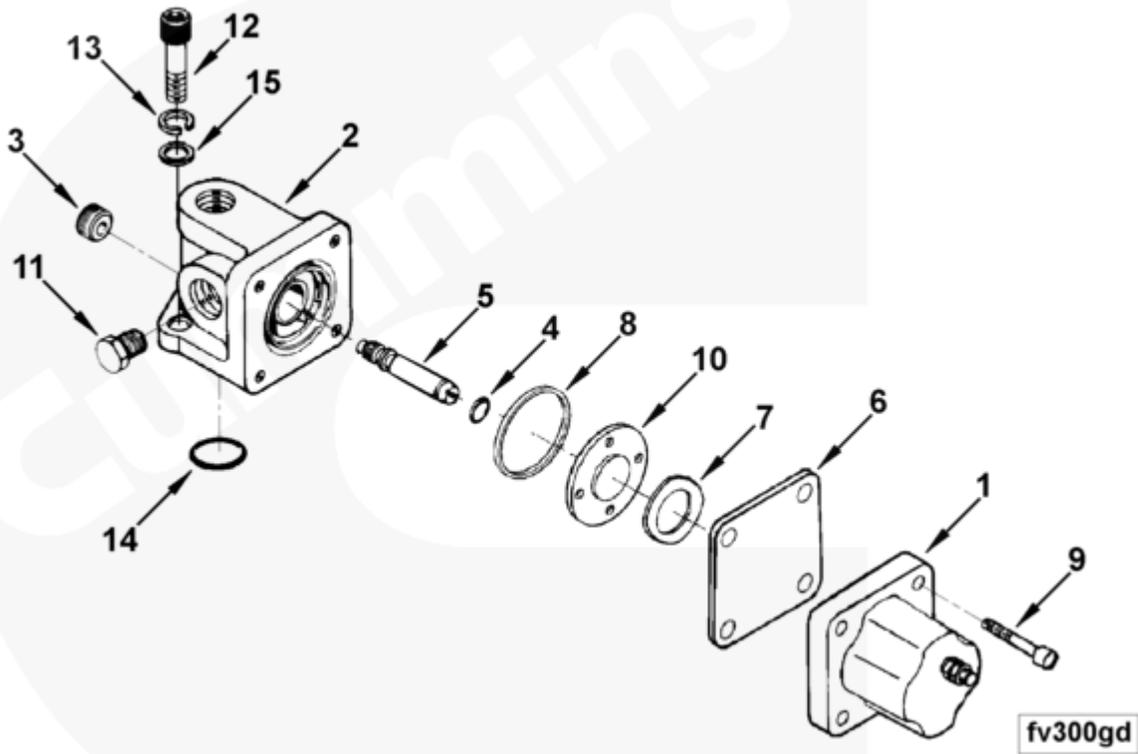




Parts Catalog - Option Detail

Electronic Parts Catalog - Option Detail				
Option	Group	Graphic	Film Card	Date
FV8002	05.06	fv300gd	F	15-AUG-91
Engines	NH/NT 855, NT495, NT743, NTA855 N106			

©Cummins Inc



[SMALL](#) | [MEDIUM](#) | [LARGE](#)

Cart	Ref No	Part Number	Part Description	Required	Remarks
View My Cart					
		FV8002	Fuel Shut-Off Valve		24 volt DC solenoid operated...(More)
					fuel shutoff valve mounted on
					fuel pump. Single terminal.
<input type="checkbox"/>		3035344	Shut-Off Valve	1	Recon equivalent 3035344 RX
<input type="checkbox"/>	1	3054610	Solenoid	1	
<input type="checkbox"/>		129886	Fuel Shut-Off Valve Body	1	
<input type="checkbox"/>	2	129826	Shut-Off Valve Body	1	

<input type="checkbox"/>	3	129838	Knob	1	
<input type="checkbox"/>	4	190876	O-Ring Seal	1	
<input type="checkbox"/>	5	3000266	Shut-Off Valve Shaft	1	
<input type="checkbox"/>	6	129839	Shut-Off Valve Shield	1	
<input type="checkbox"/>	7	129768	Valve Spring	1	
<input type="checkbox"/>	8	129888	Rectangular Ring Seal	1	
<input type="checkbox"/>	9	187556	Fillister Head Cap Screw	4	#10 - 24 x 5/8 inch
<input type="checkbox"/>	10	3030970	Valve Disc	1	
<input type="checkbox"/>	11	3025458	Pipe Plug	1	1/8 NPT.
<input type="checkbox"/>	12	S 189 C	Socket Head Cap Screw	2	1/4 - 20 X 1 3/4 Inch.
<input type="checkbox"/>	14	67684	Plain Washer	2	1/4 Inch.
<input type="checkbox"/>	14	154087	Rectangular Ring Seal	1	
<input type="checkbox"/>	13	181466	Lock Washer	2	1/4 in.